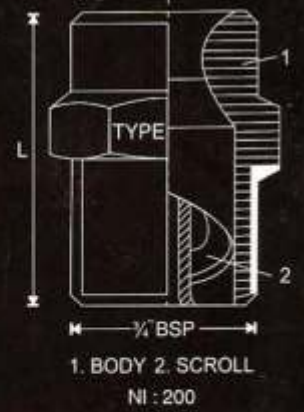
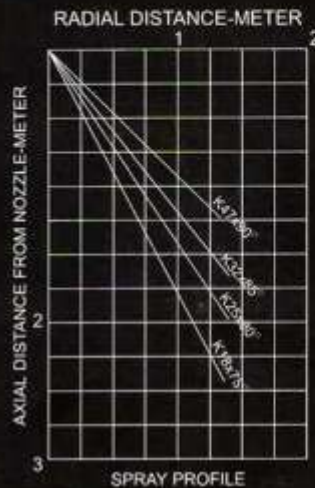
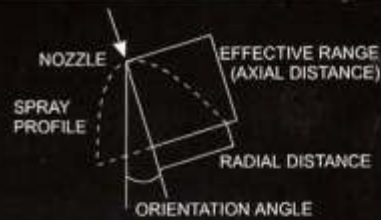


HIGH VELOCITY SPRAY NOZZLES

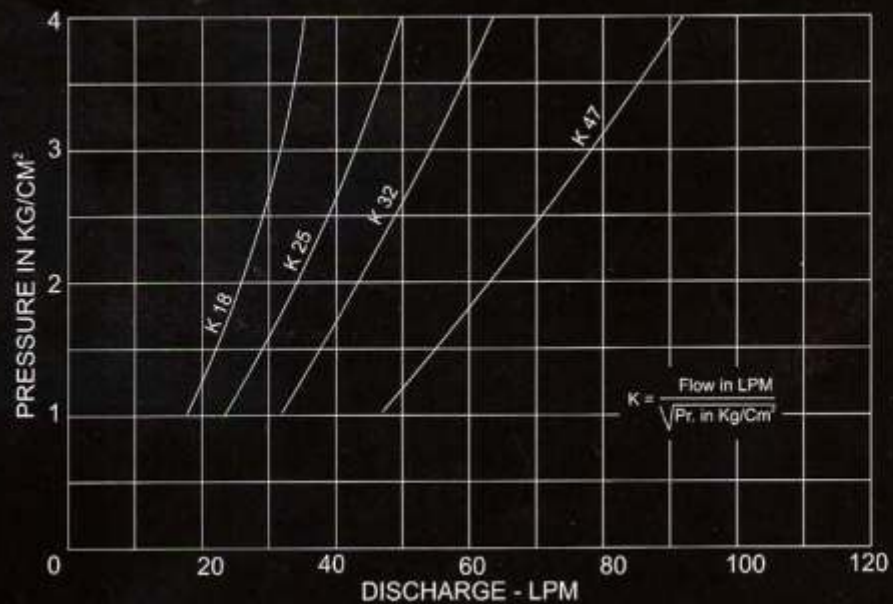
K. FACTOR	18	25	32	47	
SPRAY ANGLE	75°	80°	85°	90°	
DIMENSION - L/MM	44	46	49	55	
MATERIAL	BRASS TO IS : 319				
FINISH	BRASS / NICKEL / CHROMEPLATED				



EFFECTIVE PROFILE RANGE FOR SPRAY NOZZLE



PRESSURE VERSUS FLOW



NOTE : SPRAY PROFILE DATA COLLECTED AT 4KG/CM² PRESSURE IN STILL AIR.